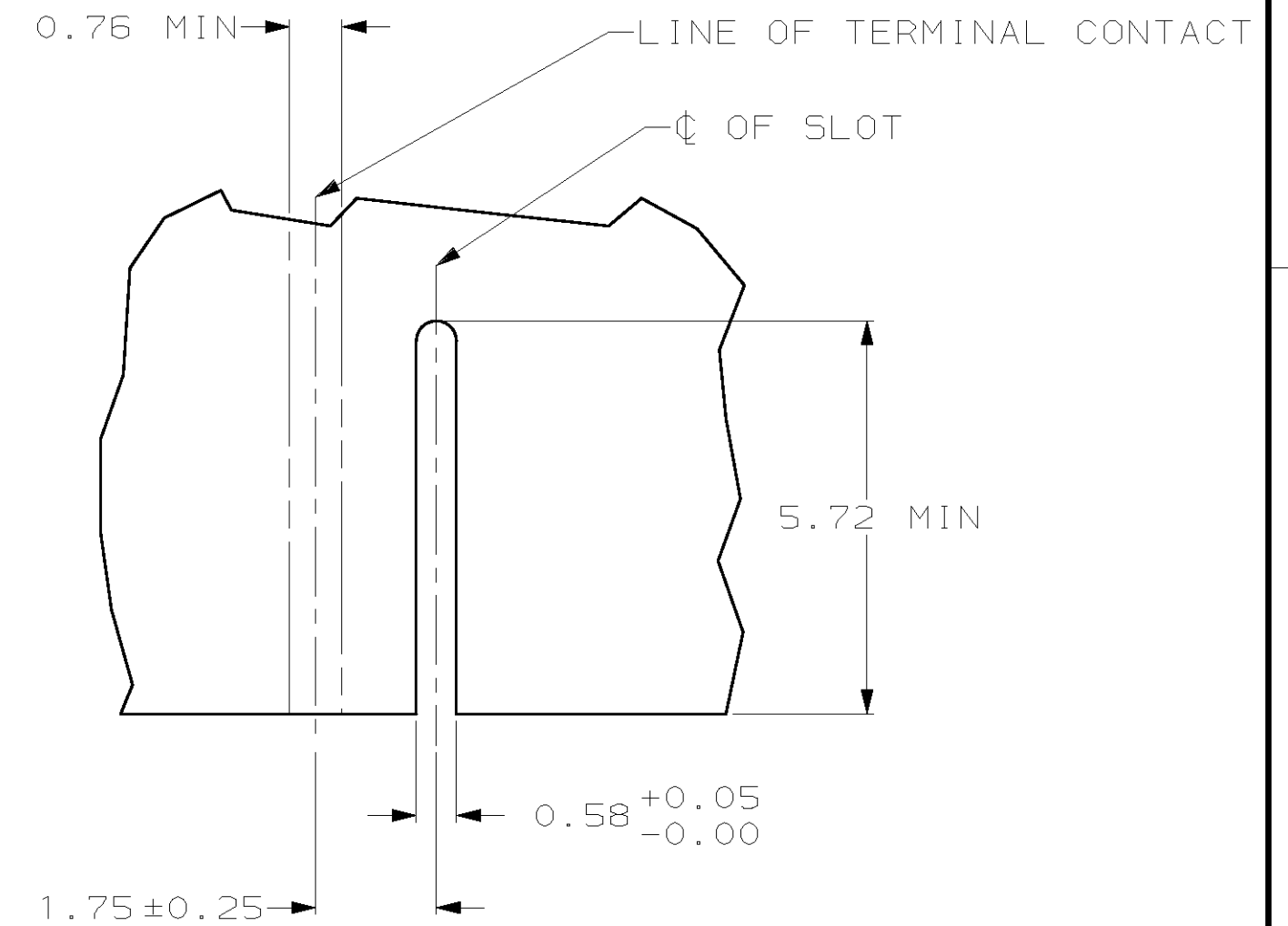
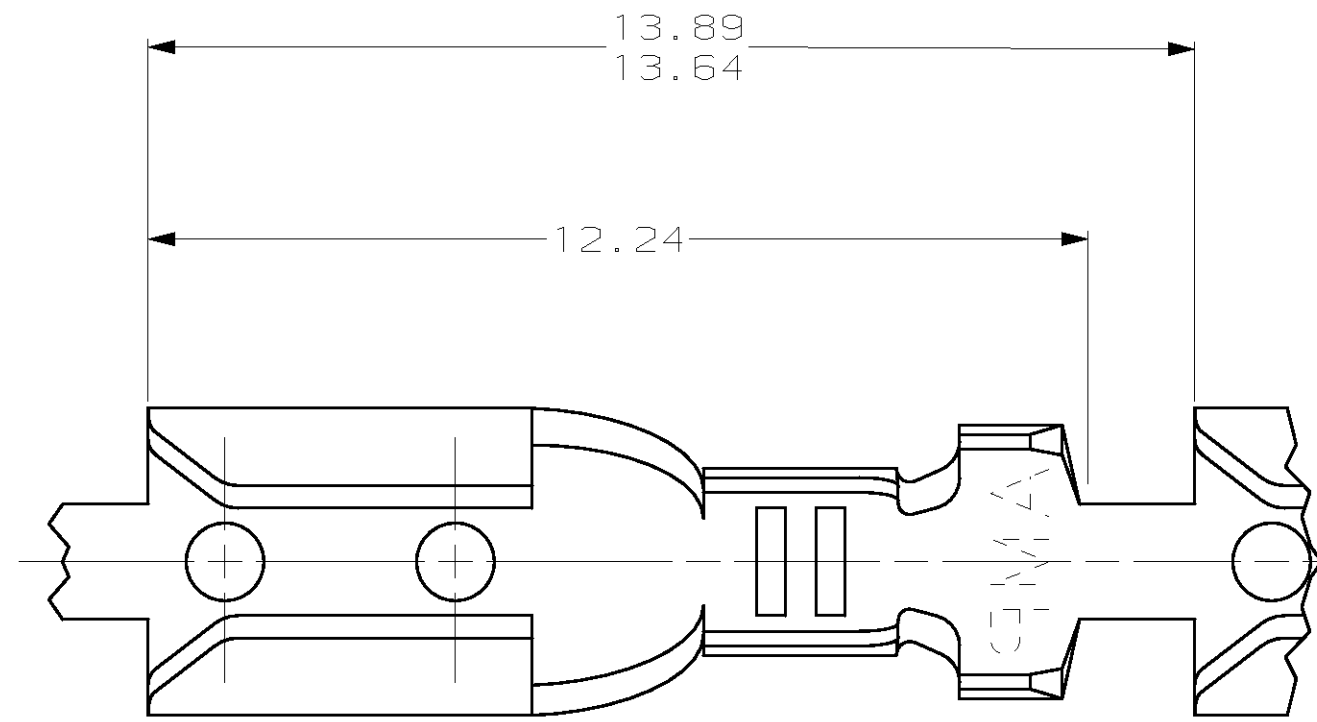


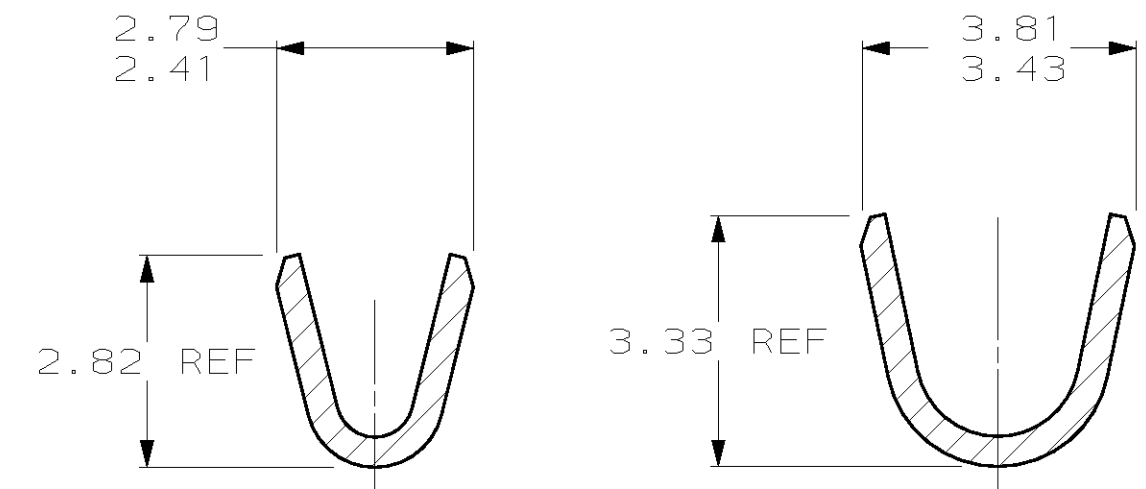
THIS DRAWING IS UNPUBLISHED. RELEASED FOR PUBLICATION  
 (C) COPYRIGHT 19 BY AMP INCORPORATED. ALL RIGHTS RESERVED.

LOC		DIST		REVISIONS			
P	LTR	DESCRIPTION	DATE	DWN	APVD		
CM	52	H	REV & REDWN PER EC 0L30-0096-97	2-28-97	TB	RS	

1. WIRE RANGE: 0.4 - 0.9 MM<sup>2</sup> (22 - 18 AWG)
2. INSULATION RANGE: 2.03 - 2.54

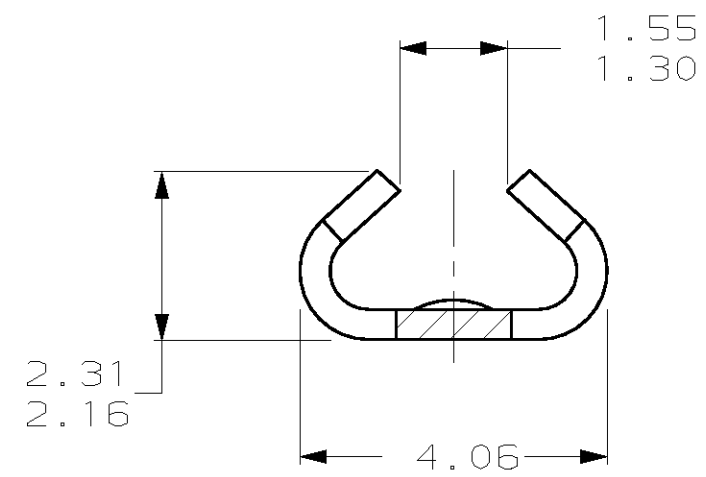
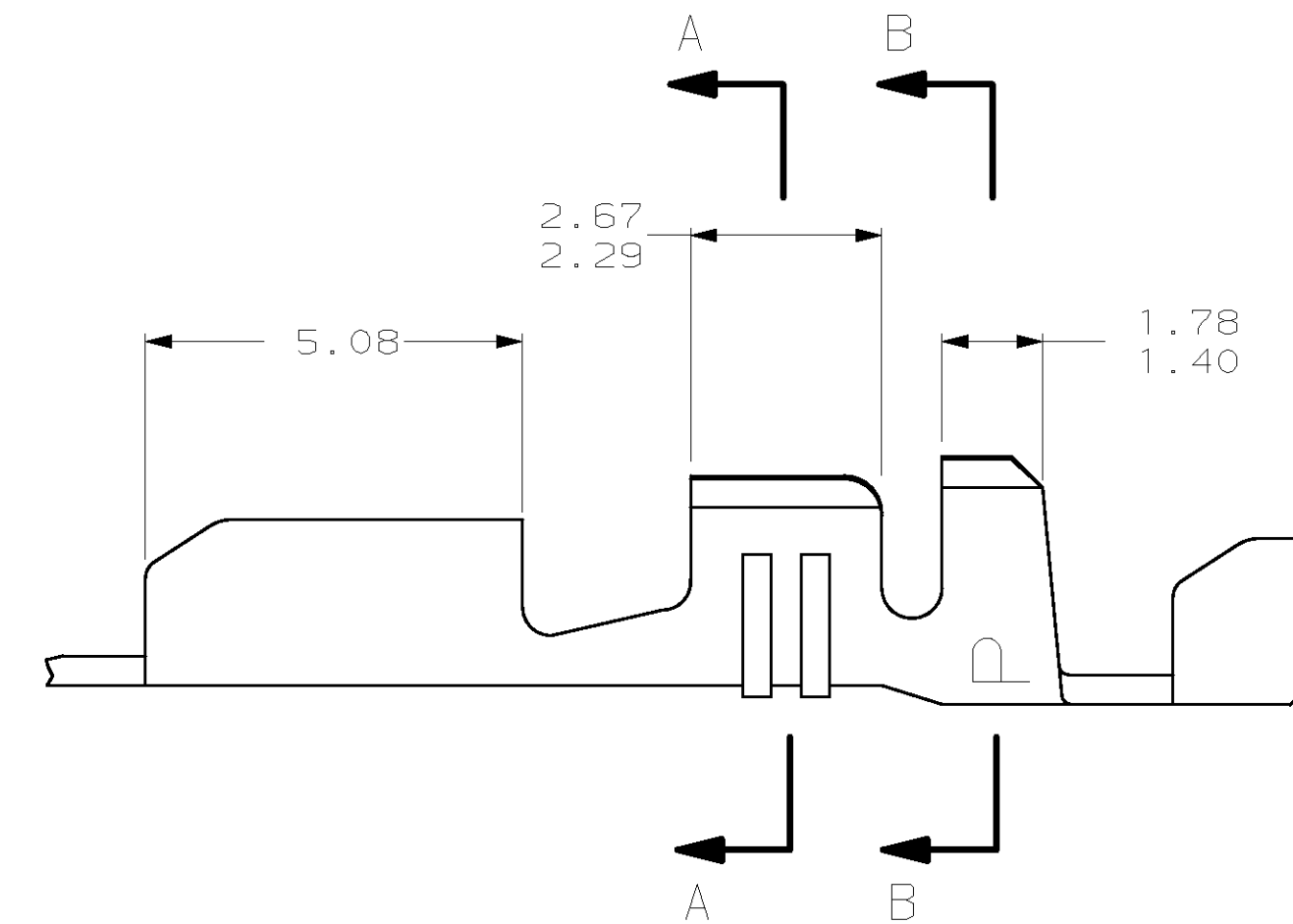


RECOMMENDED CUT OUT FOR 1.57 MAX THICK PANEL



SECTION A-A

SECTION B-B



1.30	.051	2.29	.090	3.43	.135	-	-
0.76	.030	2.16	.085	3.33	.131	13.89	.547
0.58	.023	2.03	.080	2.82	.111	13.64	.537
0.40	.016	1.78	.070	2.79	.110	12.24	.482
0.25	.010	1.75	.069	2.67	.105	5.72	.225
0.13	.005	1.57	.062	2.54	.100	5.08	.200
0.05	.002	1.55	.061	2.41	.095	4.06	.160
0.00	.000	1.40	.055	2.31	.091	3.81	.150
MM	IN	MM	IN	MM	IN	MM	IN

CONVERSION TABLE

**METRIC**

60704-1  
PART NUMBER

THIS DRAWING IS A CONTROLLED DOCUMENT.		DWN	T. BECK	2-28-97
DIMENSIONS:		CHK	R. SWING	2-28-97
mm		APVD	A. BEDDICK	3-10-97
TOLERANCES UNLESS OTHERWISE SPECIFIED:		PRODUCT SPEC	AMP Incorporated Harrisburg, PA 17105-3608	
0 PLC	±-	APPLICATION SPEC	TERMINAL, 22-18 AWG, .080-.100 INSULATION, AMP-EDGE™	
1 PLC	±-	WEIGHT	SIZE CAGE CODE DRAWING NO RESTRICTED TO	
2 PLC	±0.13	MATERIAL	A2 00779 C-60704	
3 PLC	±-	FINISH	SCALE 10:1 SHEET 1 OF 1 REV H	
4 PLC	±-	0.40 BRASS	CUSTOMER DRAWING	
ANGLES	±-	MATTE TIN		